

INDUSTRIAL DISTRIBUTION

Texas A&M University

Catalog 143 - Fall 2020 – 126 Hours

FRESHMAN

FALL 16hrs SPRING 15hrs

SOPHOMORE

FALL 15hrs SPRING 15hrs

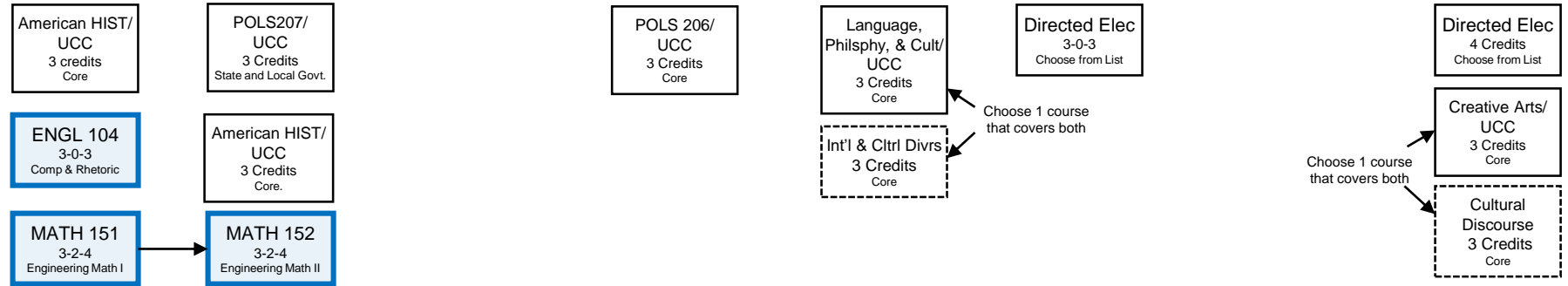
JUNIOR

FALL 16hrs SPRING 17hrs

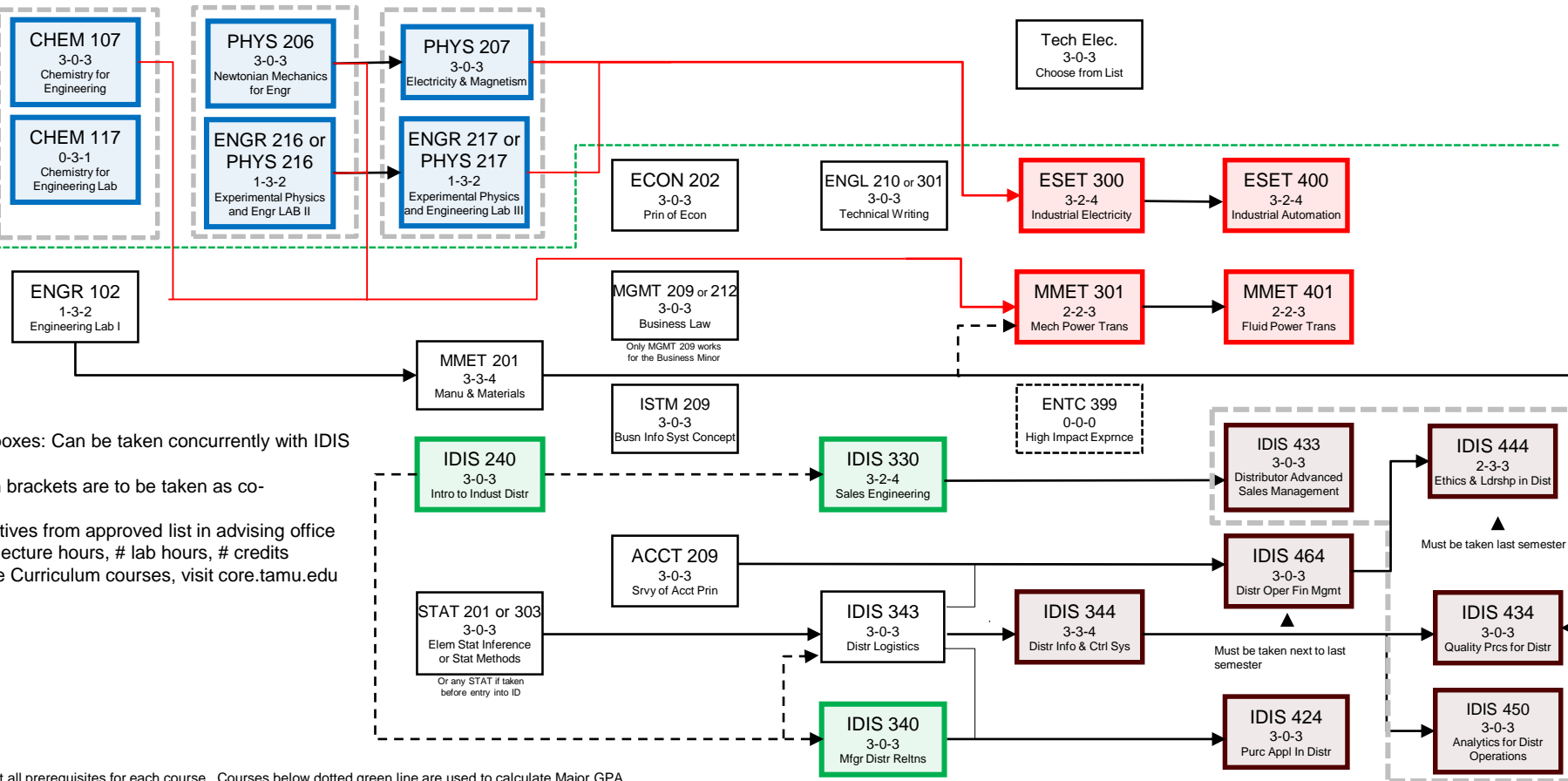
SENIOR

FALL 16hrs SPRING 16hrs

Core Curriculum Courses



Major Courses



-Bold green boxes: Can be taken concurrently with IDIS 240
 - [] courses in brackets are to be taken as co-enrollments
 - Choose electives from approved list in advising office
 - # - # - # = # lecture hours, # lab hours, # credits
 - To view Core Curriculum courses, visit core.tamu.edu

• Students must meet all prerequisites for each course. Courses below dotted green line are used to calculate Major GPA.